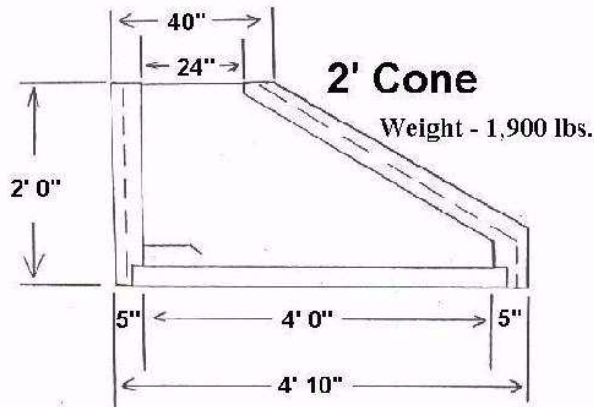


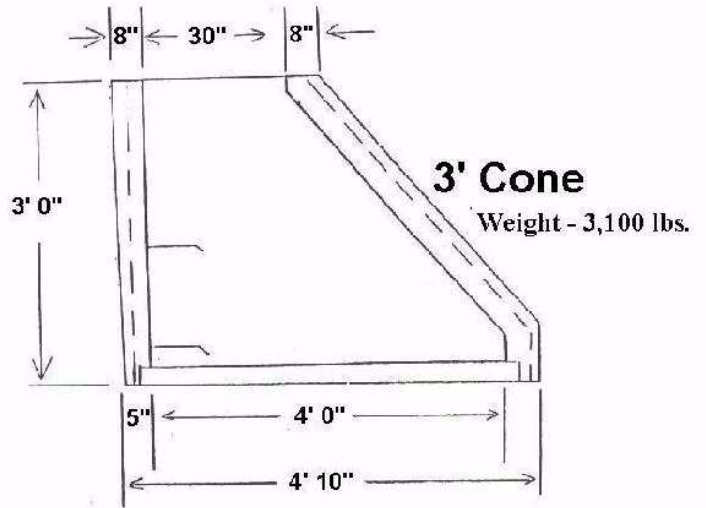
Flat Cover

Weight - 1,600 lbs.
 Flat Cover Openings
 24" or 30"
 Round or Square



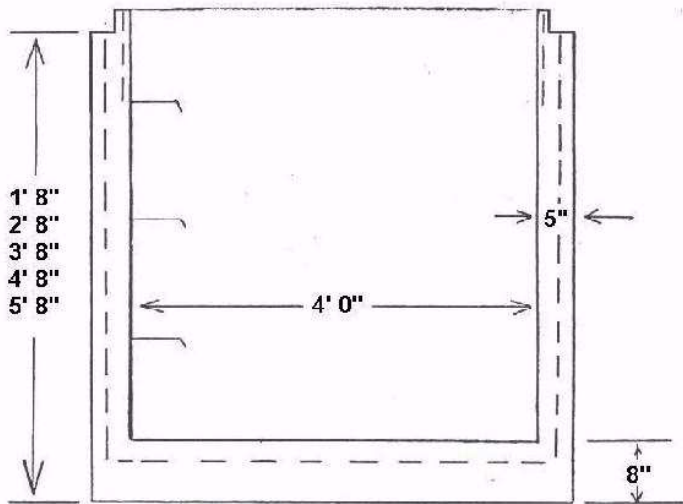
2' Cone

Weight - 1,900 lbs.



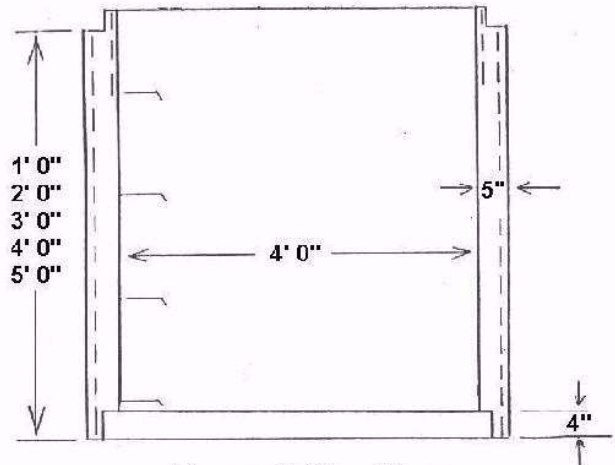
3' Cone

Weight - 3,100 lbs.



Base Section

Weight:
 -1,820 lbs. for Base
 -120 lbs. for Lip
 - 860 lbs. per Vertical Foot



Barrel Section

Weight - 860 lbs. per Vertical Foot

Concrete - 4,000 psi @ 28 Days

Concrete and Reinforcing
 as per ASTM C-478

Opening In Flat Cover Can Be
 Fabricated to Accomodate
 Different Cast Iron or Hatch Sizes

4' Diameter Manhole

Grimm Building Materials Co., Inc.

Phone - (518) 272-1100 Fax - (518) 272-0229

Precast Concrete Division

96 Albany Avenue

P.O. Box 157

Green Island - Troy, New York 12181

www.grimmbldg.com