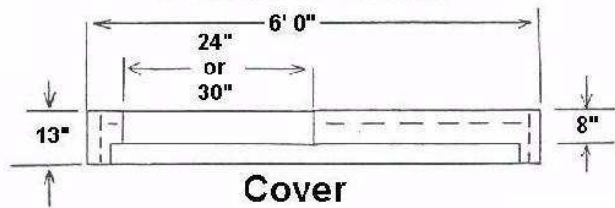
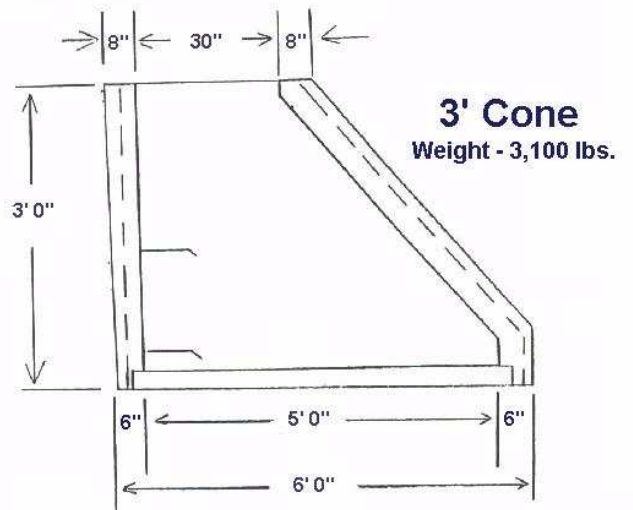


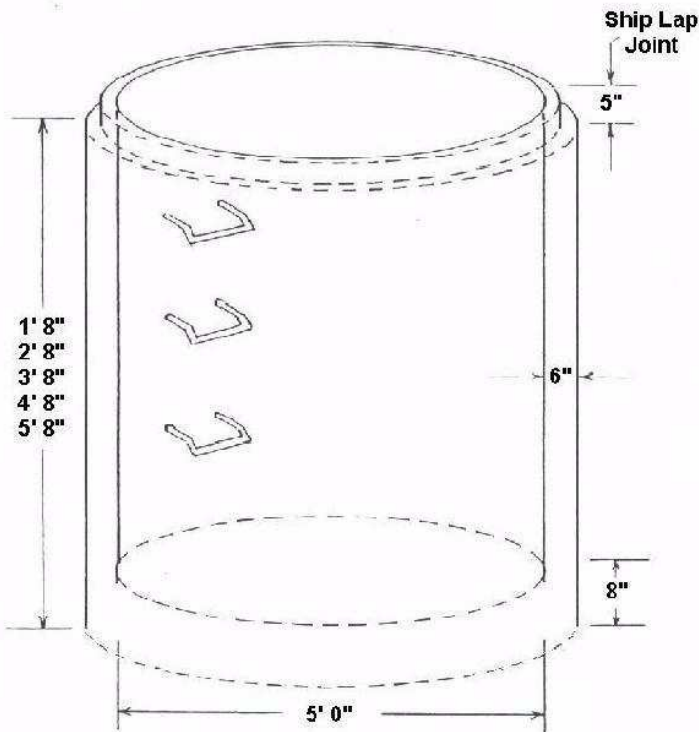
Flat Cover Openings  
24" or 30"  
Round or Square  
On Center or Eccentric



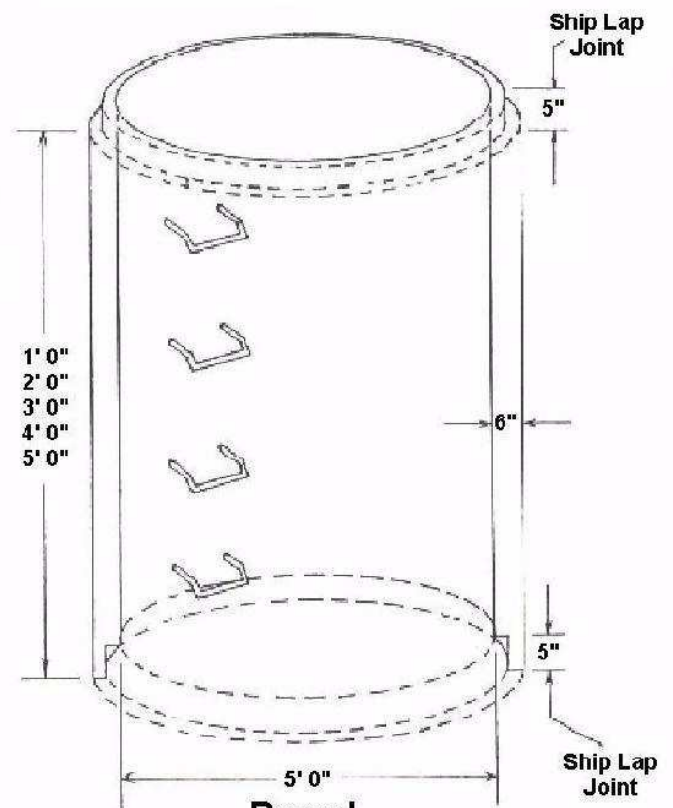
**Cover**  
Weight - 2,650 lbs.



**3' Cone**  
Weight - 3,100 lbs.



**Base**  
Weight:  
1' 8" - 4,069 lbs.  
2' 8" - 5,400 lbs.  
3' 8" - 6,700 lbs.  
4' 8" - 8,000 lbs.  
5' 8" - 9,300 lbs.



**Barrel**

Weight - 1,300 lbs. per Vertical Foot

Concrete and Reinforcing On All Sections  
per A.S.T.M C478

## 5' Diameter Manhole

**Grimm Building Materials Co., Inc.**

Phone - (518) 272-1100 Fax - (518) 272-0229

Precast Concrete Division

96 Albany Avenue

P.O. Box 157

Green Island - Troy, New York 12181

[www.grimmbldg.com](http://www.grimmbldg.com)