

6 PANEL EMBOSSED DOOR SPECIFICATIONS (1 3/4" THICK)

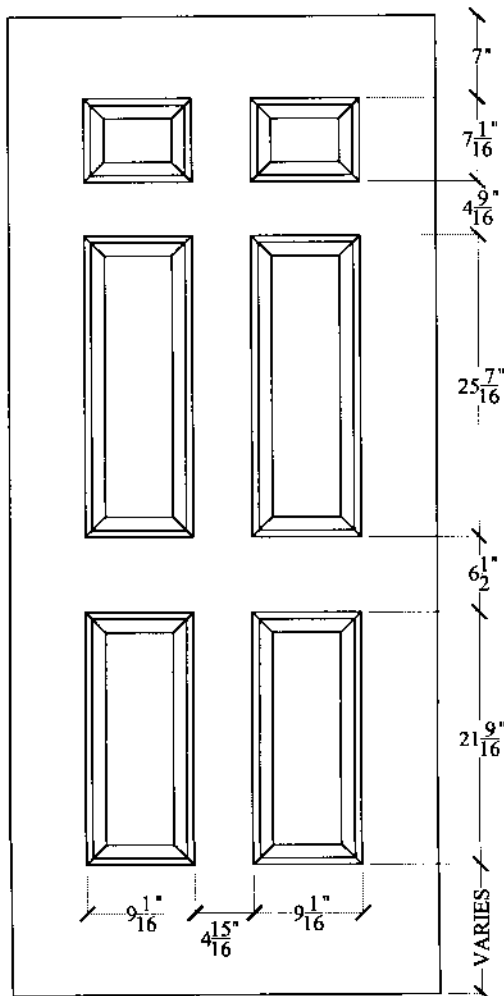
Door Specifications

- Galvanneal steel
- Visible mechanical interlocking edges filled with an internal sealant
- 16ga inverted end channels top & bottom
- All 6 panel embossed doors are manufactured with polystyrene core as standard

Hardware Specifications

- 4 1/2" high frequency hinge reinforcement
- 161 lockset (2 3/4" backset) or rim panic reinforced
- 16ga closer reinforcements

STANDARD 6 PANEL (6'8" & 7'0")



NARROW 6 PANEL (6'8" & 7'0")

